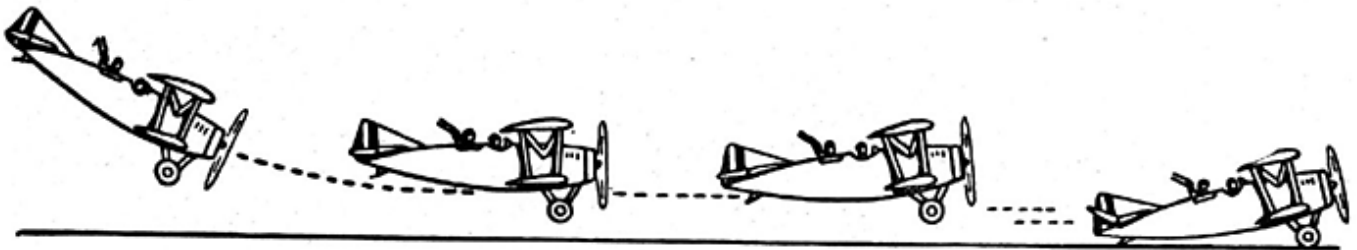
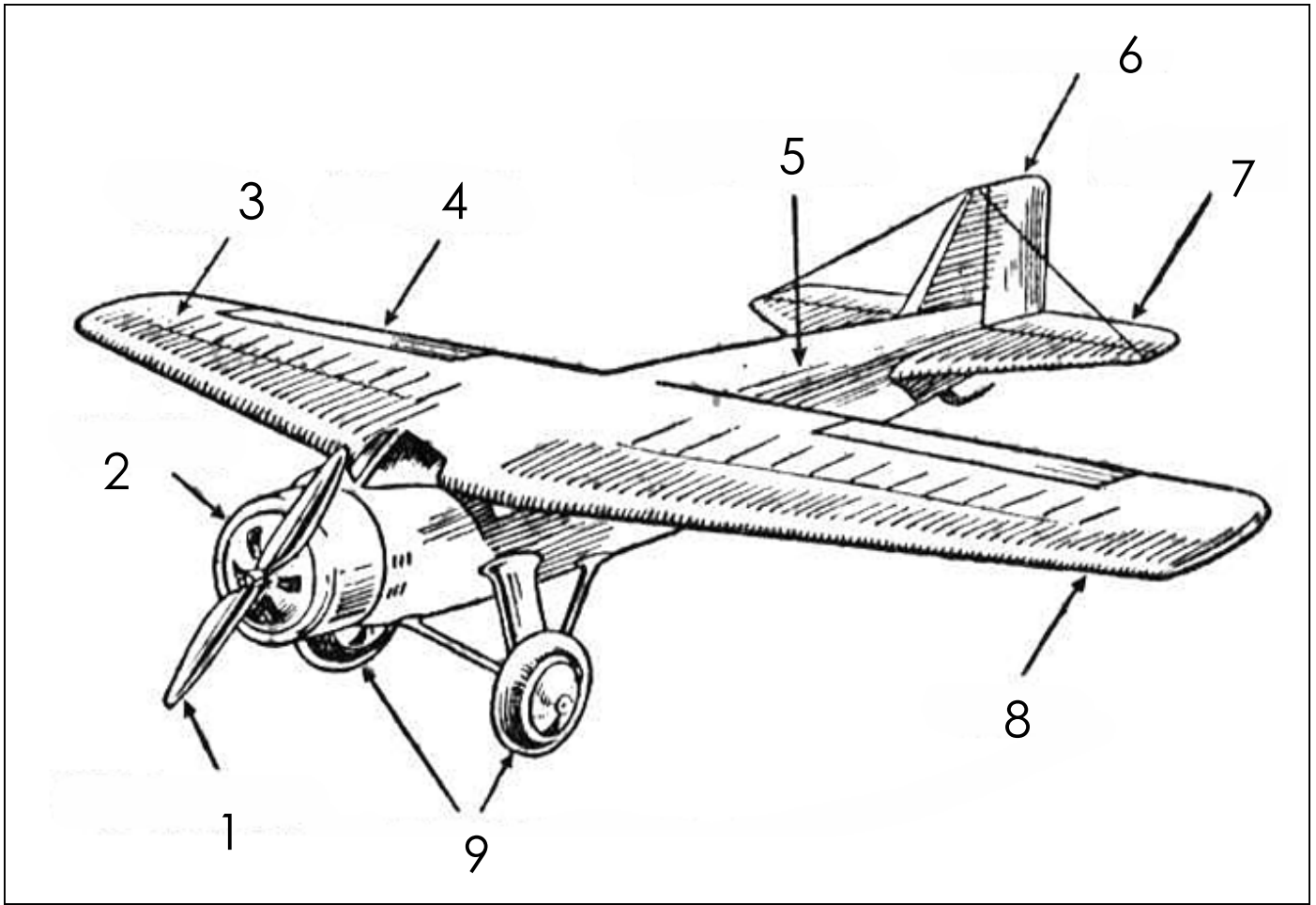


Label an Airplane





Cut out book on previous page as one piece and fold in half. Cut out diagram on this page and glue into book. There should be a large area of space remaining on the inside of your book. Let your student use it to number from 1-9 and write the correct answer by each number. Use the airplane vocabulary minit book to help explain each part of the plane to your student.

