

Name of Appliance:

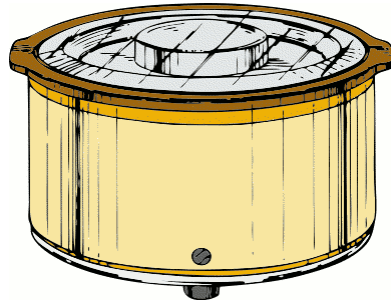
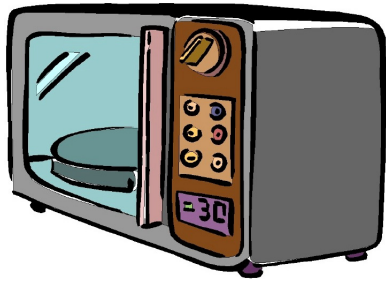
Name of Inventor:

Year First Invented:

How has this appliance changed over the years?

How has this appliance made lives easier?

What is the most interesting fact you learned about this appliance?



Print out report.
You can choose
one of the
appliance
graphics or draw
your own. After
report is
completed, fold in
quarters and store
in pocket.

To assemble
pocket:

Cut out as one
piece. Fold under
tabs. Glue taps
into lapbook.

Appliance Report

